

Javelin J310i

Fast, multi-purpose printer with a host of attractive features

For both instant card issuance and the personalization of large card batches, the Javelin J310i printer offers fast and attractive card personalization making it ideal for a wide range of identification purposes—from access control passes, visitor cards, and badges to membership and promotion cards.

The 300 dpi resolution ensures exceptionally sharp print quality. Cards take approximately 25 seconds to print in full color or around four seconds to print in monochrome. Edge-to-edge printing is standard.

The useful LCD panel assists the operator by clearly describing the current status of the printer. It even provides a reminder when routine cleaning is required.

Offering unparalleled print quality, Javelin printers are the fast, cost-effective solution for all your identification needs—from magnetic stripe to contact and contactless smart card encoding.

The fast, compact Javelin J310i offers:

- personalizes high-quality, edge-to-edge, full-color cards—up to 144 full-color cards per hour or up to 900 single-sided monochrome color cards per hour
- is flexible enough to meet your specific requirements—with magnetic stripe, contact, and contactless smart card encoding options and a wide range of available color ribbons
- has a user friendly LCD panel that displays machine status
- is perfect for instant issuance or batch production—with a large input hopper option also available

... ideal for a wide range of identification purposes ...



Javelin® J310i *Technical Details*

Features

- Fast color printing: around 25 seconds/card (single-sided)
- Edge-to-edge printing
- Easy-to-load ribbon
- Simple card thickness adjustment
- Auto-synchronization of ribbon
- Automatic cleaning
- USB port
- Covered input hopper with integrated card weight & easy single card feed
- Large output hopper

GENERAL SPECIFICATIONS

- Color dye sublimation or monochrome thermal transfer printing
- 300 dpi (11.8 dots/mm) print resolution
- 2 MB image memory standard
- LCD to show printer status
- Card input cartridge capacity: up to 210 cards (10 mil); up to 75 cards (30 mil)
- Card output hopper capacity: up to 210 cards (10 mil); up to 75 cards (30 mil)
- Parallel and USB ports
- Windows® drivers for 95, 98, 2000, ME, XP & NT 4.0

OPTIONS

- RS 232 serial port
- Smart card encoding
- Contactless (Mifare) card encoding
- Dual coercivity magnetic stripe encoding (top or bottom side)
- Large card stacker (replaces input hopper)

RIBBONS

Javelin *i-Series* printers require the use of Javelin branded *i-Series* TrueColours ribbons for full color printing.

- Monochrome colors: black, red, blue, green, silver, gold, white and scratch-off gray
- YMCKO - 200 & 330 cards/roll
- KdO - 500 cards/roll
- KrO - 500 cards/roll
- Overlay varnishes - clear and hologram: 350 cards/roll

BAR CODES & FONTS

- Code 39, Code 128 B and C with and without check digit
- 2 of 5 and 2 of 5 interleaved
- UPC-A, EAN 8 and EAN 13
- PDF-417 2D bar code, other symbologies and True Type fonts via Windows® drivers

CARD SPECIFICATIONS

- Types: PVC & composite PVC
- Card width/length: ISO 7810 (CR-80) 2.125" (54 mm) x .375" (86 mm)
- Card thickness: 10 mil (0.25 mm) to 60 mil (1.52 mm)

PHYSICAL DIMENSIONS

- Depth: 15.2" (386 mm) (excluding hopper)
- Width: 7.9" (200 mm)
- Height: 9.4" (240 mm)
- Weight: 13.4 lb (6.1 kg)

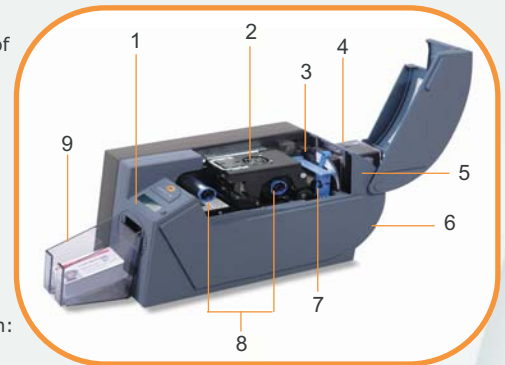
ELECTRICAL

- Power requirements 110-230 Volts, 50-60 Hz
- FCC Class A, CE, UL, & CUL approved

ENVIRONMENTAL

- Operating temperature 59°F to 86°F
- Relative humidity 20% to 65% non-condensing
- Storage temperature 23°F to 158°F
- Storage humidity 20% to 70% non-condensing
- Ventilation: Free air

Designed and built to ISO 9001 certification standards. All specifications are subject to change without notice. Windows is a registered trademark of Microsoft Corporation in the United States and other countries.



1. LCD display panel
2. User replaceable printhead
3. Simple card thickness adjuster
4. Covered input hopper
5. Integrated card weight
6. Easy single card feed
7. Automatic cleaning
8. Easy to load ribbon
9. Large output hopper



LCD display panel



Integrated contact and contactless smart card encoding kit

Always use TrueColours™ certified media from NBS Technologies

